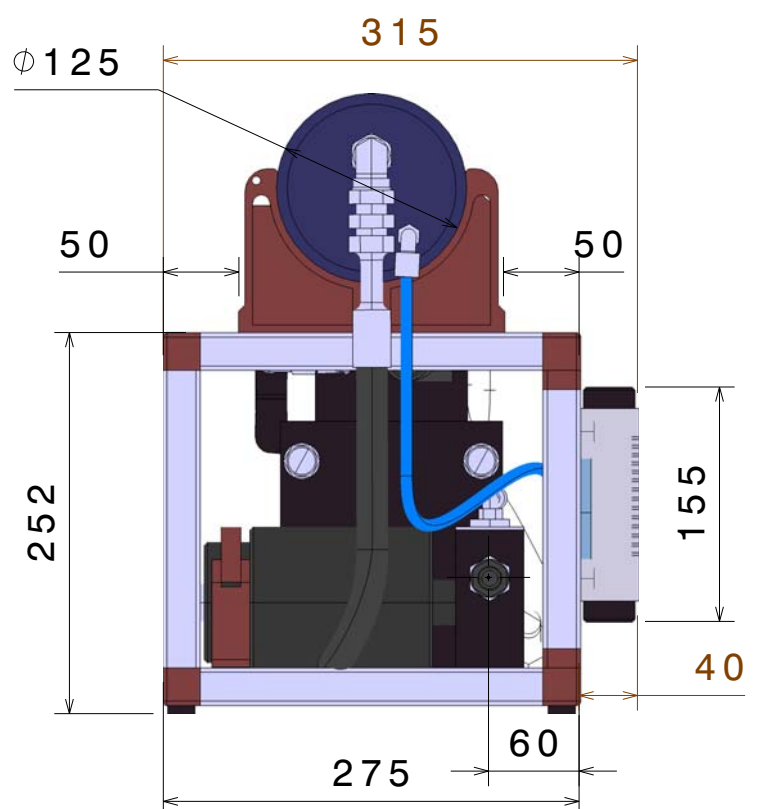
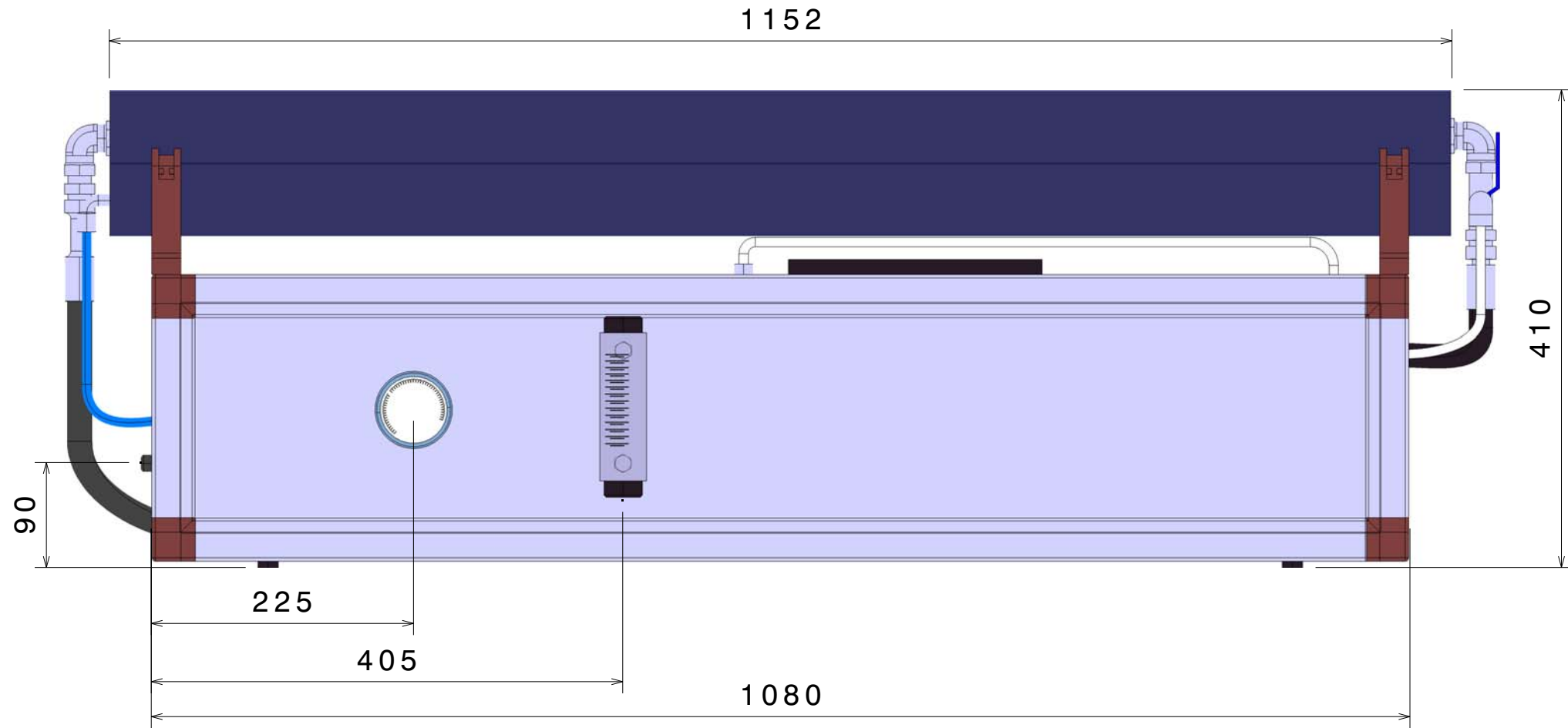


H G F E D C B A

4

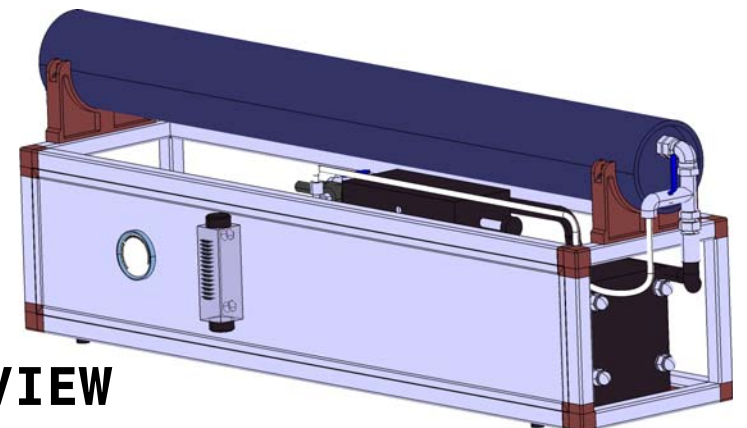
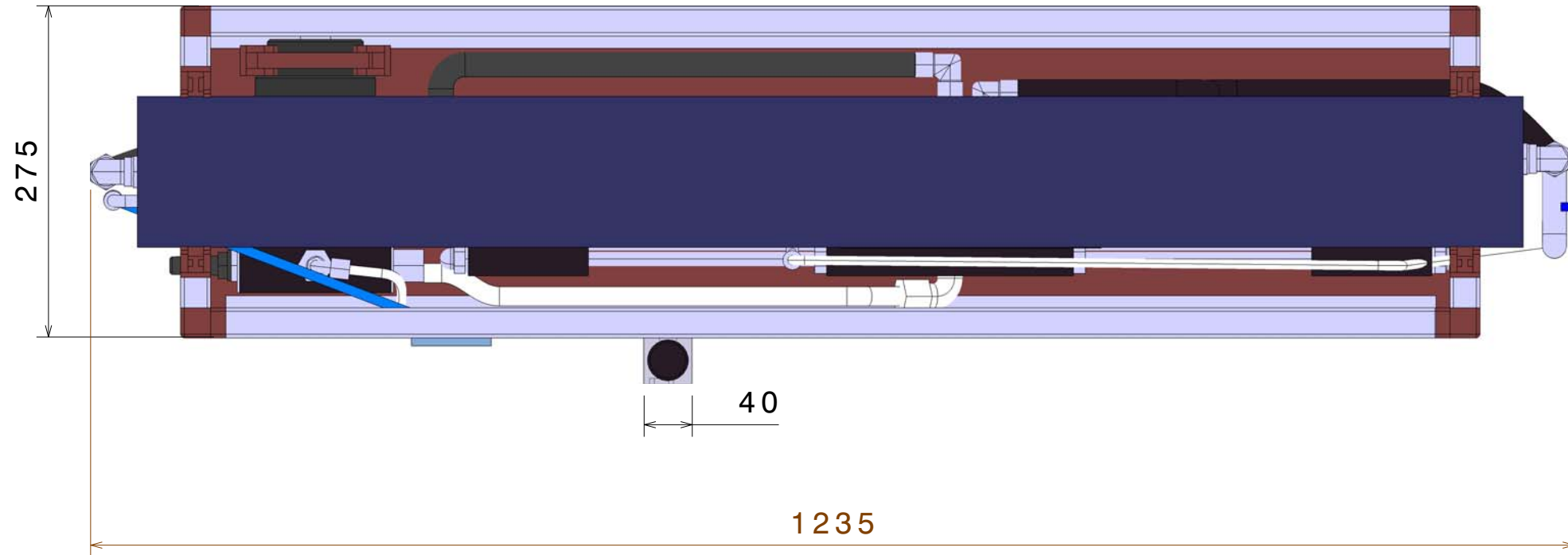


4

3

3

2



2

ISO VIEW
Scale: 1:10

1

1

SCHENKER ITALIA

DRAWING TITLE			
MODULAR 150 L			
SIZE	DRAWING NUMBER	REV	
A3	150M24 / 150M220	X	
SCALE	1:5	WEIGHT (kg)	69
SHEET		1/1	

H G B A