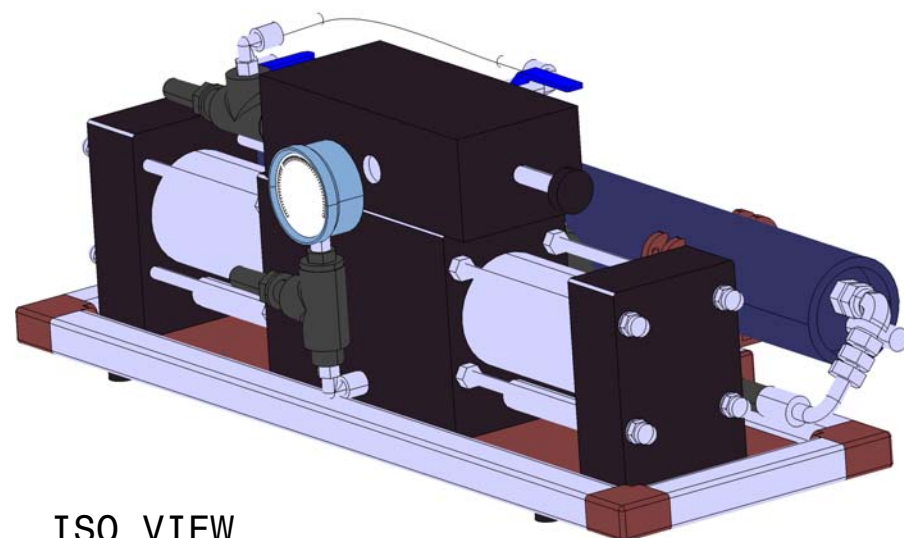


SECTION A-A
Scala: 1:5



ISO VIEW
Scala: 1:5

SCHENKER ITALIA			
DRAWING TITLE			
SMART 30L			
SIZE	DRAWING NUMBER		REV
A3	30S12 / 30S24		X
SCALE	1:5	WEIGHT (kg)	25
SHEET	1/1		